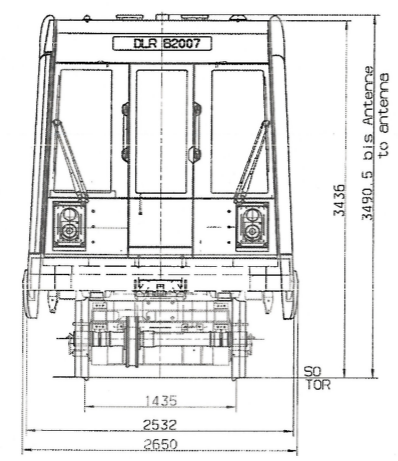
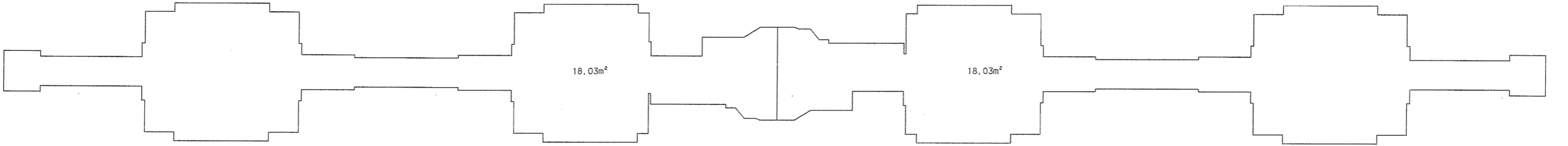


Stehplätze / standees

Lastfall M3: 36,06 m<sup>2</sup> x 4 Personen / m<sup>2</sup> = 144 Personen  
 Load Case M3: 36,06 m<sup>2</sup> x 4 People / m<sup>2</sup> = 144 People  
 Lastfall M4: 36,06 m<sup>2</sup> x 6 Personen / m<sup>2</sup> = 216 Personen  
 Load Case M4: 36,06 m<sup>2</sup> x 6 People / m<sup>2</sup> = 216 People



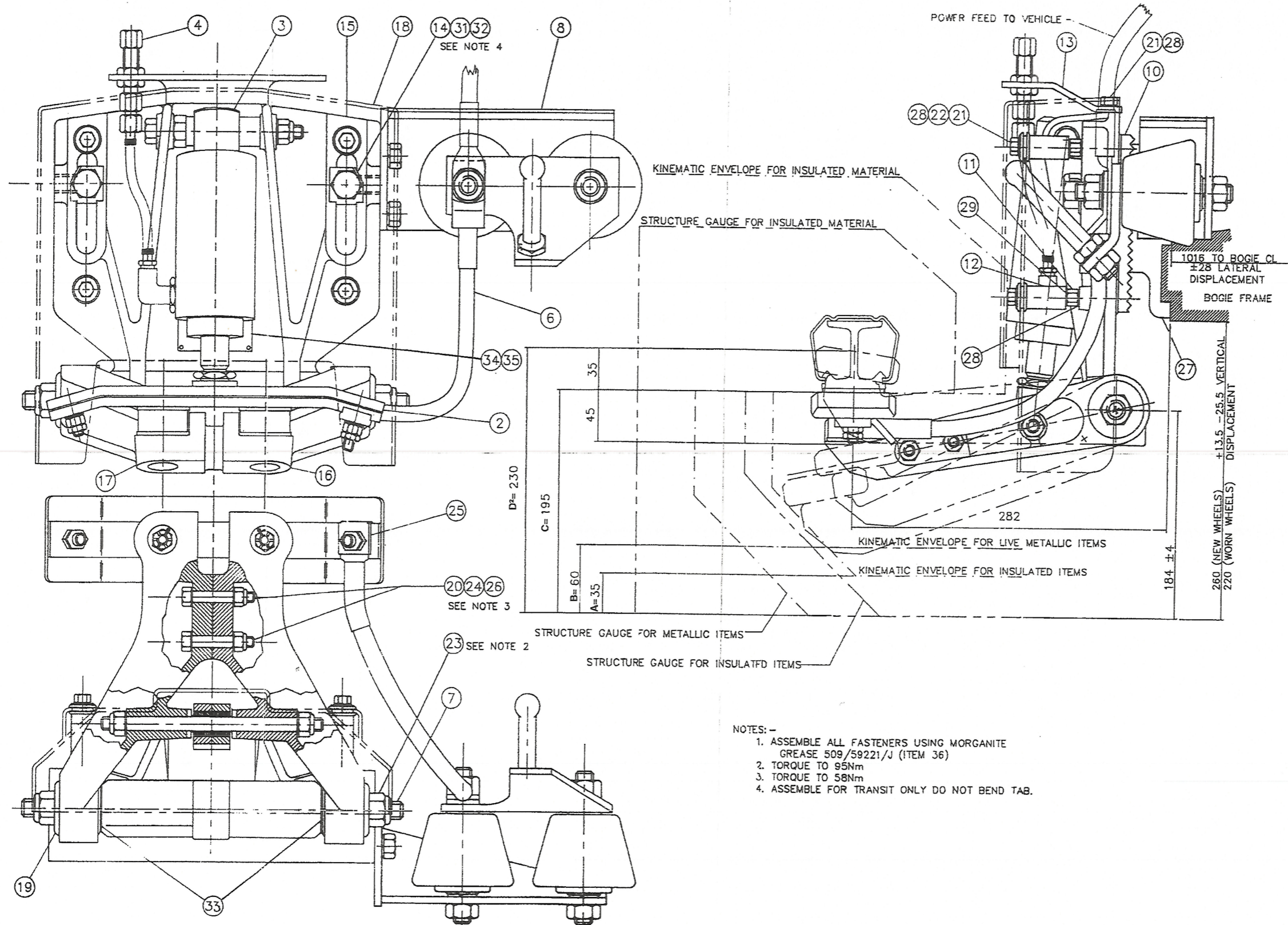
SEATING CAPACITY	
FORWARD FACING	32
SIDWAYS FACING	20
TIP-UP	4
<b>TOTAL</b>	<b>56</b>

DATE				
DRW				
CHKD				
APPV				



# THIRD RAIL COLLECTOR

DESCRIPTION



- NOTES: -
1. ASSEMBLE ALL FASTENERS USING MORGANITE GREASE 509/59221/J (ITEM 36)
  2. TORQUE TO 95Nm
  3. TORQUE TO 58Nm
  4. ASSEMBLE FOR TRANSIT ONLY DO NOT BEND TAB.

Fig. 10