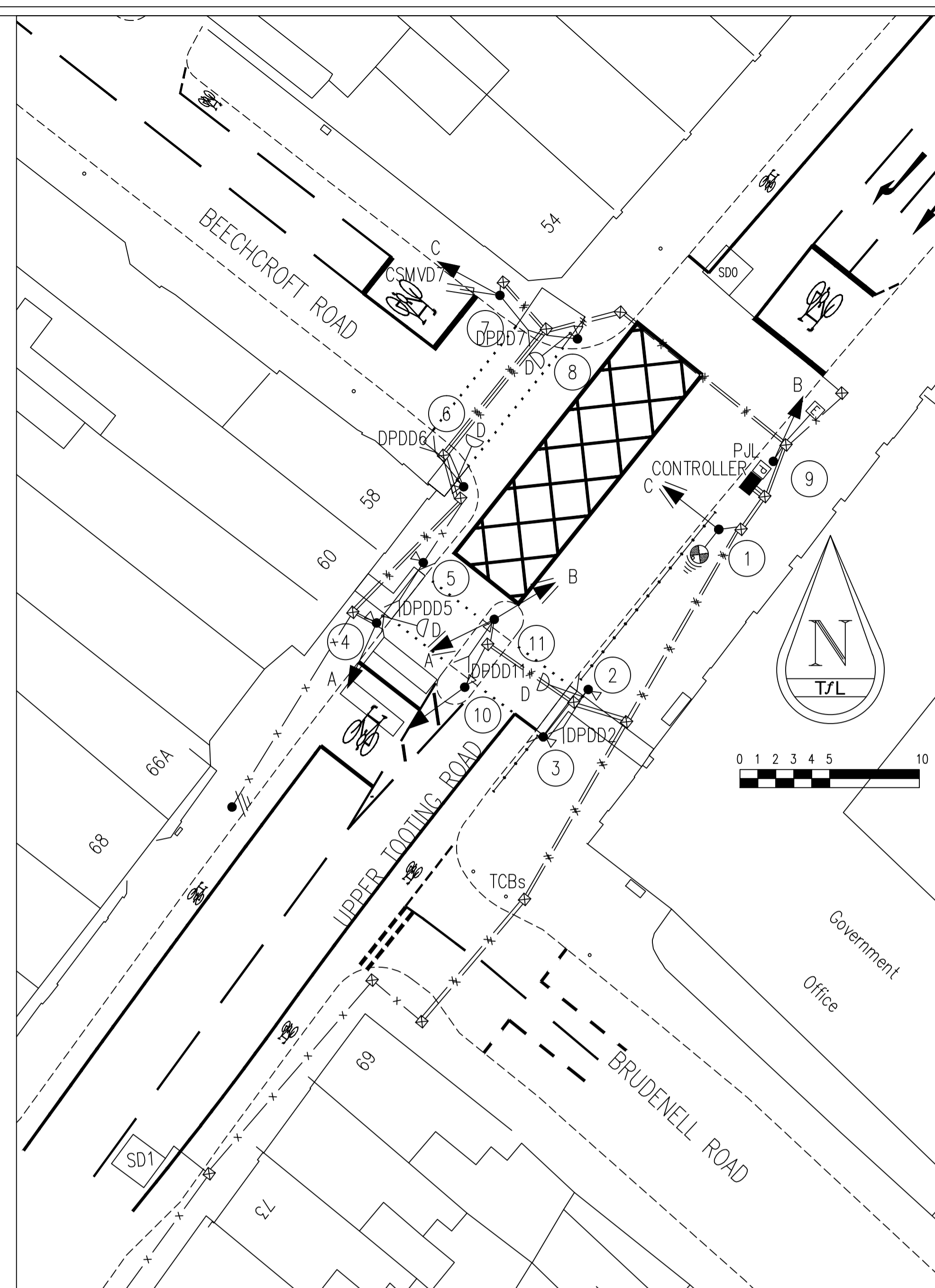
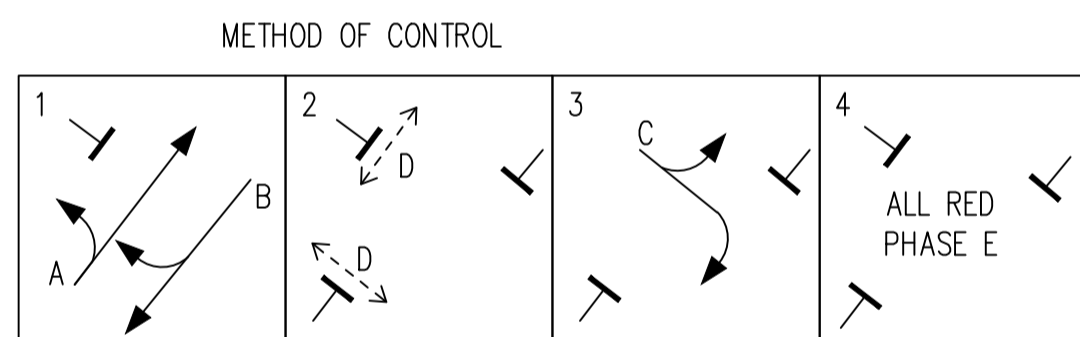




LOOPS, DUCTING AND DETECTION POINT PLAN
SCALE 1:500



SCHEME PLAN
SCALE 1:200



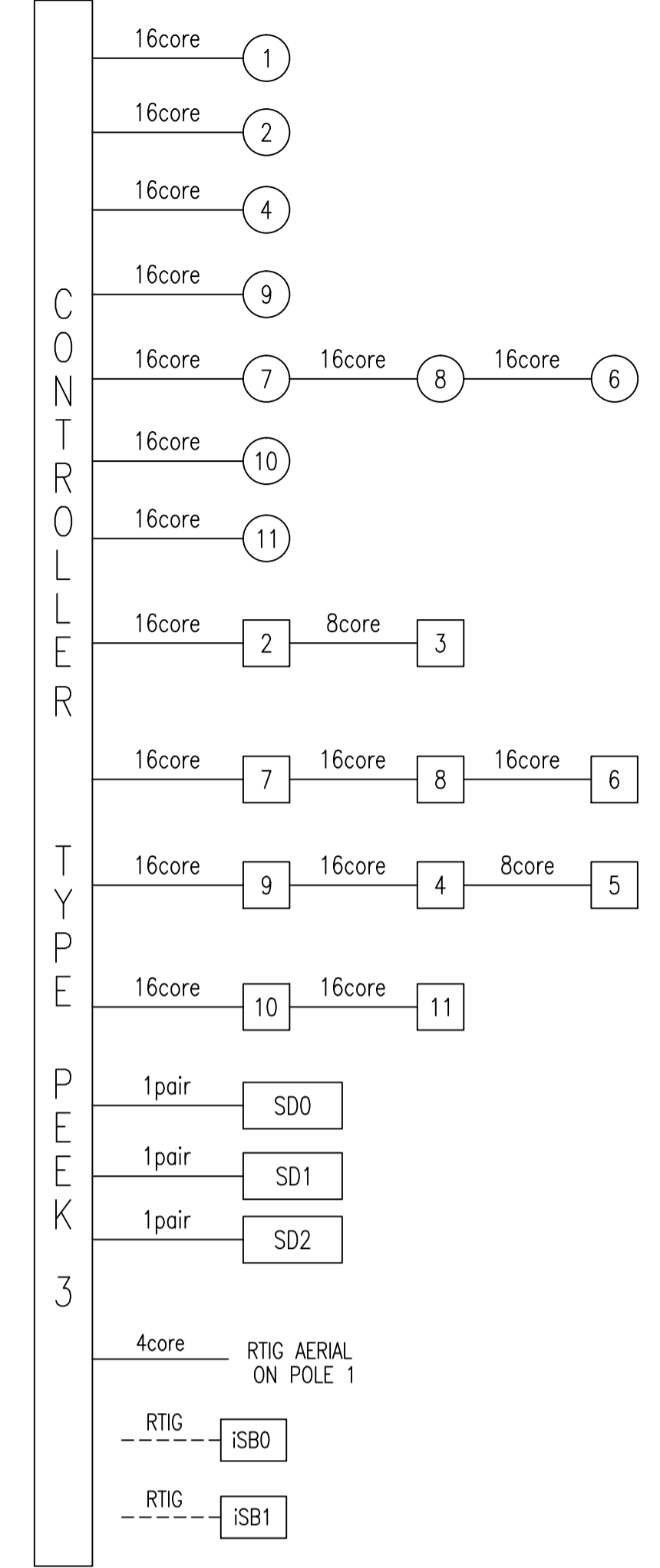
OTU NUMBER: 10/084

LOOP NUMBER	LOOP DIMENSION & POSITION (METRES)			DISTANCE TO STOPLINE (METRES)	BUS DETECTOR CONNECTION		REFERENCE POINT	DISTANCE TO LOOP LEADING EDGE	PROPOSED OR EXISTING
	A	B	C		SERIES	PARALLEL			
SD0	2.0	2.0	4.9	195.0			LP No.11	0.0	EXISTING
242.0	2.0	2.2	5.1	242.0			LP No.14	0.0	EXISTING
SD2	2.0	2.4	5.2	150.0			LP No.18	0.0	EXISTING

BUS STOP REFERENCE ON DRAWING	LOCATION	FLAG TO STOPLINE (METRES)	SHELTER TO STOPLINE (METRES)	LENGTH OF SHELTER (METRES)
BS1	UPPER TOOTING ROAD NB	100.9	N/A	N/A
BS2	UPPER TOOTING ROAD SB	111.4	N/A	N/A

DETECTOR NAME	iBUS JUNCTION ID	DETECTOR REFERENCE POINT	DISTANCE FROM STOP LINE	STOP CONDITION	MAX DISTANCE OFFSET	MOVEMENT	FROM	DIRECTION	TO	DIRECTION
							STREET		STREET	
iSBO	922	AT FLAG OF BS1 - UPPER TOOTING RD N/B	100.9	2	15	1	UPPER TOOTING ROAD	N/B	UPPER TOOTING ROAD	N/B
iSB1	922	AT FLAG OF BS2 - UPPER TOOTING ROAD S/B	111.4	2	15	2	UPPER TOOTING ROAD	S/B	UPPER TOOTING ROAD	S/B

SIGNAL SCHEMATIC



REV	DATE	DETAILS	CONTRACT
11	04.03.15	NEW CONTROLLER & PDD'S INSTALLED. SITE AMENDED FOLLOWING PI AUDIT (28.05.15)	TfL/SIGS-AD
10	16.08.11	PB'S, PED CROSSING, ASL'S & ROAD MARKINGS UPDATED	TfL-TI-ASR
9	28.10.08	iBUS DETECTION INFORMATION ADDED TfL - KR	STC - IG
8	05.06.06	POLES 10 & 11 ADDED	STCL SC.0274.011 .019.01 (M.R.G.)
7	25/02/04	WIDE BASED POLES INSTALLED ON ALL POLES	CM008182 SA PEEK 1099
6	17/03/04	SCOOT LOOP DETAILS AMENDED - HEALTHCHECK	DTM - MB
5	19/12/00	JUNCTION REFURBISHMENT	STCL ? (ENG: J.S.B)
4	22/12/99	RLC EQUIPMENT INSTALLED	SERCO G800/57 (ENG: R.S)
3	15/2/00	DRAWING CONSOLIDATED	MM (DEM)
2	26/8/94	JOB COMPLETED 10/12/93	GEC 2166
REV	DATE	DETAILS	CONTRACT
?	??/??/??	????????????????????	????????

Transport for London
Surface Transport

Traffic Directorate
Windsor House
42-50 Victoria Street
LONDON SW1H 0TL
Telephone 020 7222 5600

scheme L B OF WANDSWORTH
UPPER TOOTING ROAD /
BEECHCROFT ROAD
TRAFFIC SIGNAL LAYOUT

date NOV 01 scale AS SHOWN@A1
No. SLD/10/00084/011 Sht 1of2

- NOTES
- SYMBOLS ARE IN ACCORDANCE WITH CURRENT VERSION OF SIG/GEN/S/1526
 - 50mm DUCT FROM CONTROLLER TO ESP
 - 50mm DUCT FROM CONTROLLER TO PUL
 - 50mm DUCT UNDER KERB TO LOOP FEEDERS
 - ALL POLES INSTALLED DIRECTLY INTO GROUND
 - MVD FITTED ON POLE 7 IS A SLOW MOVING MVD
 - ALL POLES ARE WIDE BASED & BLACK IN COLOUR
 - AVL/BP BEACON MOUNTED ON POLE
 - iBUS GEOGRAPHIC LOCATION
 - iBUS AERIAL MOUNTED ON POLE 1
 - TACTILES FITTED TO PB POLE 2, 4, 6, 7, 10 & 11
 - PEDESTRIAN CALL/CANCEL DETECTORS ON POLE 3, 4, 6 & 7