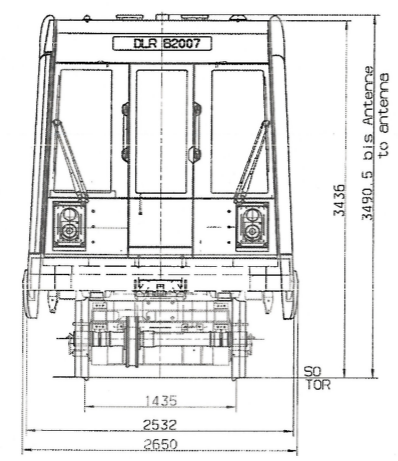
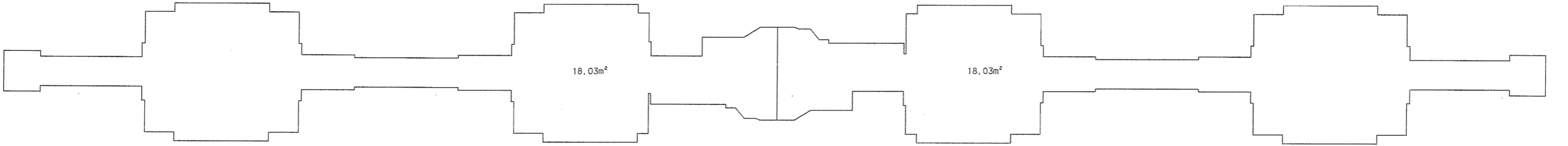


Stehplätze / standees

Lastfall M3: 36,06 m² x 4 Personen / m² = 144 Personen
 Load Case M3: 36,06 m² x 4 People / m² = 144 People
 Lastfall M4: 36,06 m² x 6 Personen / m² = 216 Personen
 Load Case M4: 36,06 m² x 6 People / m² = 216 People

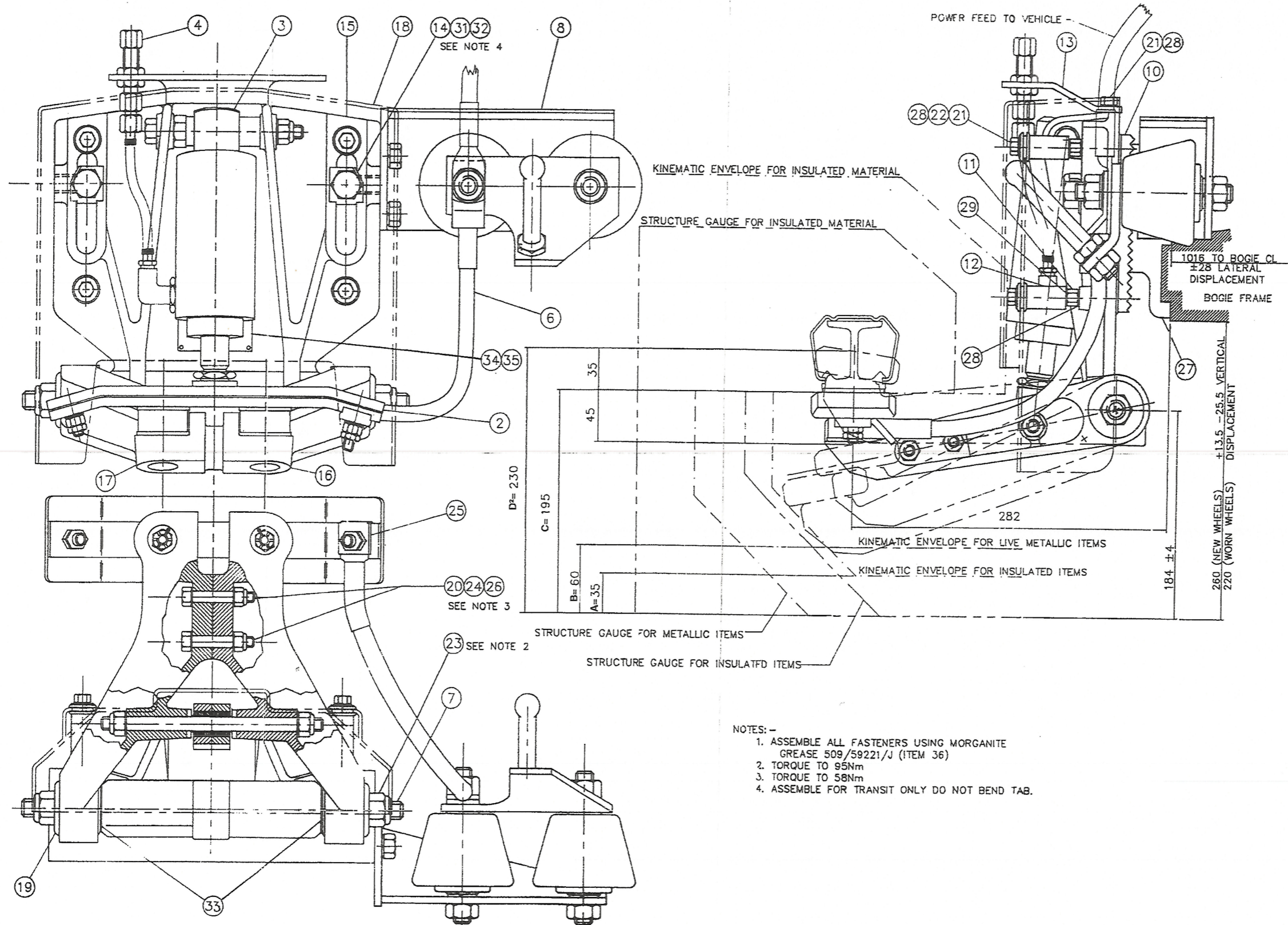


SEATING CAPACITY	
FORWARD FACING	32
SIDWAYS FACING	20
TIP-UP	4
TOTAL	56

DATE				
BY				
CHKD				

THIRD RAIL COLLECTOR

DESCRIPTION



- NOTES: -
1. ASSEMBLE ALL FASTENERS USING MORGANITE GREASE 509/59221/J (ITEM 36)
 2. TORQUE TO 95Nm
 3. TORQUE TO 58Nm
 4. ASSEMBLE FOR TRANSIT ONLY DO NOT BEND TAB.

Fig. 10