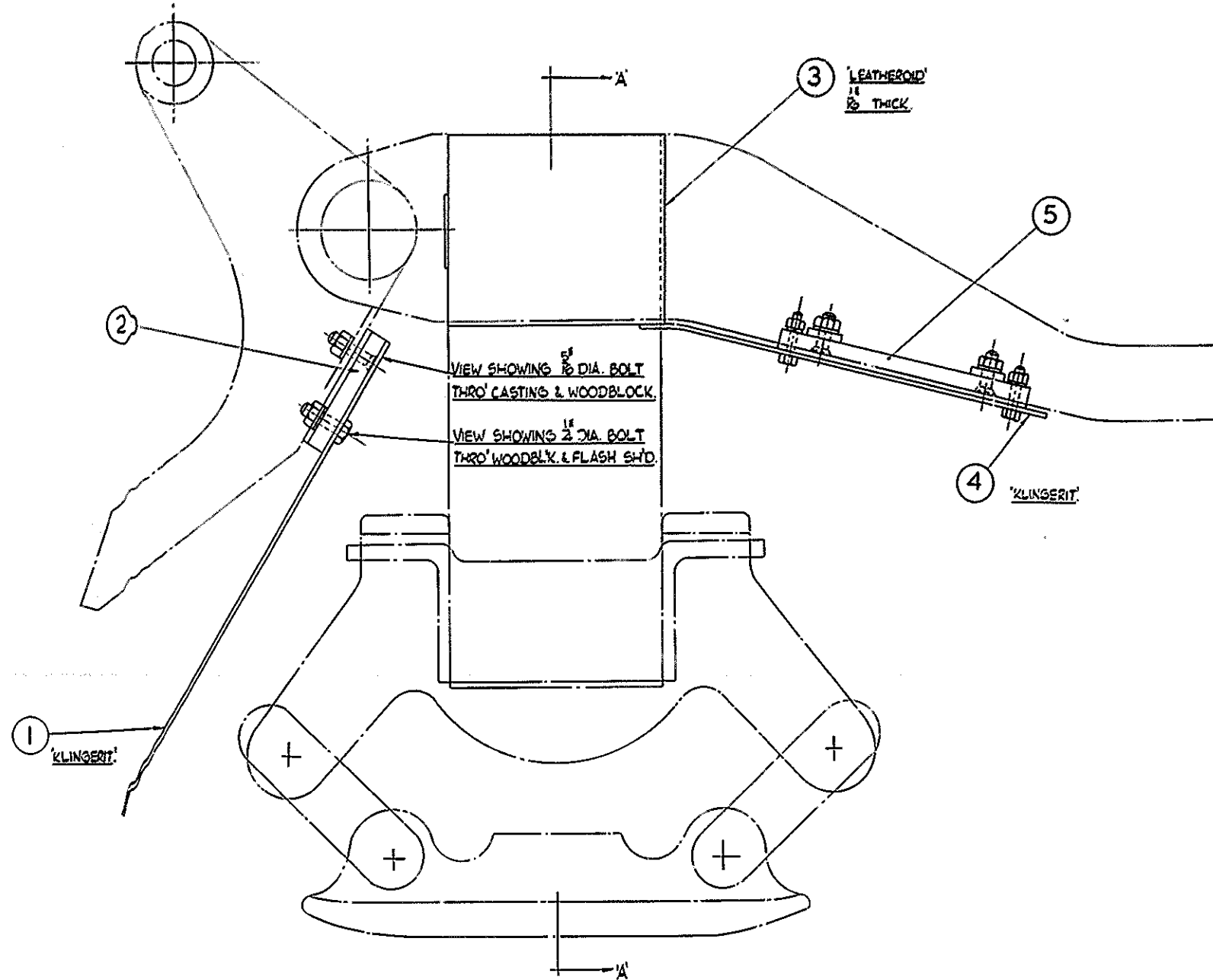
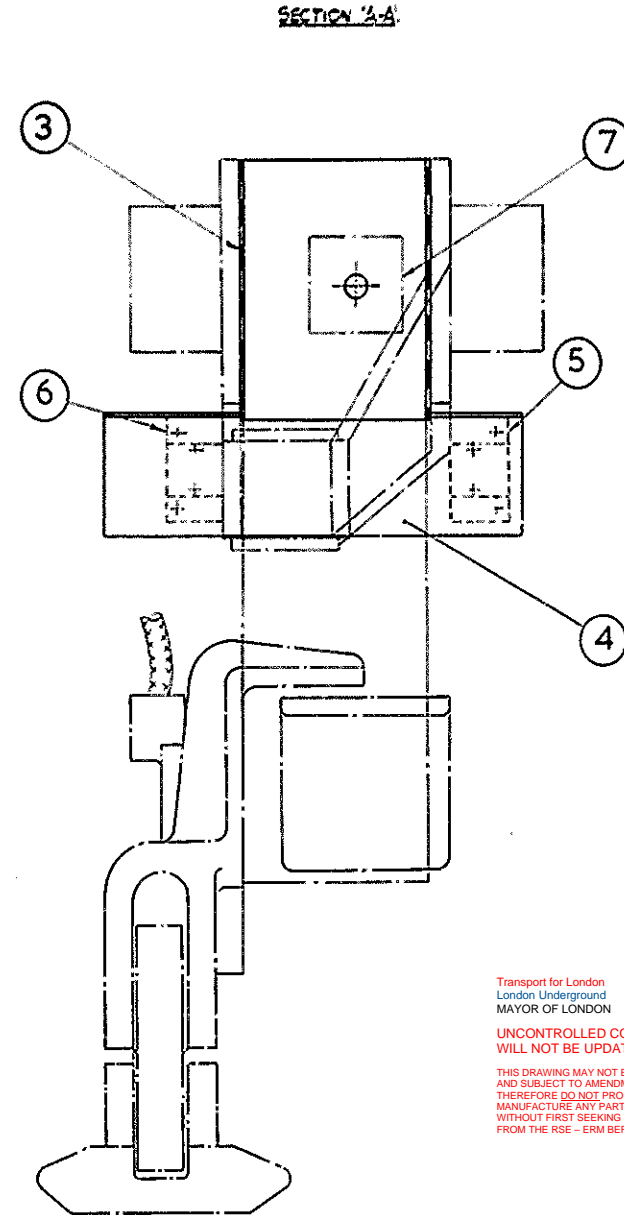
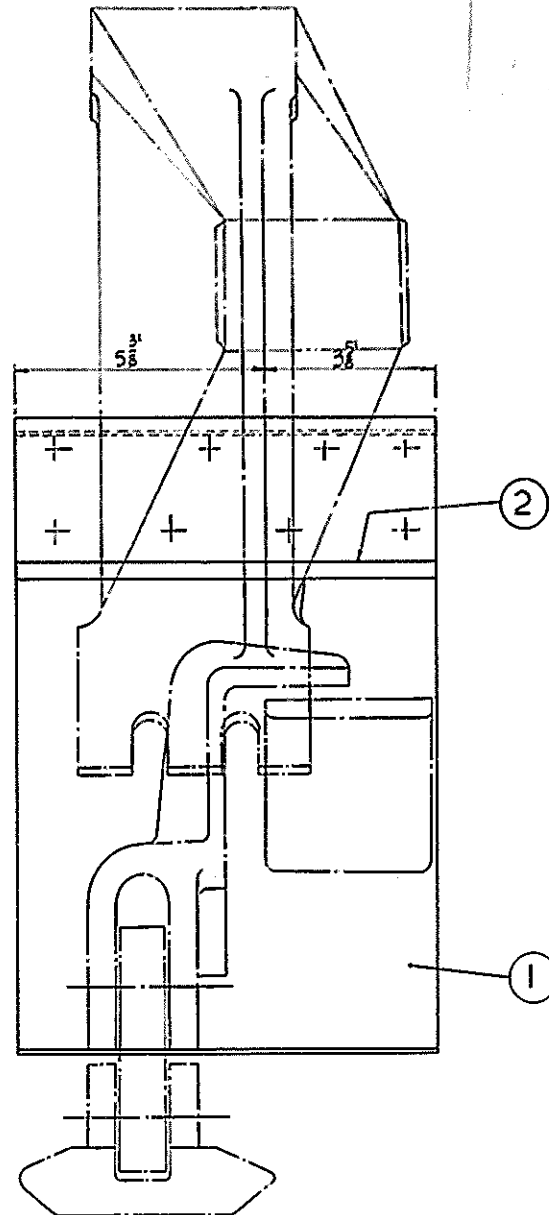


N.M.G.

Transport for London
London Underground
MAYOR OF LONDON
UNCONTROLLED COPY
WILL NOT BE UPDATED
THIS DRAWING MAY NOT BE CURRENT
AND SUBJECT TO AMENDMENT
THEREFORE DO NOT PURCHASE OR
MANUFACTURE ANY PART THERE OF
WITHOUT FIRST SEEKING VERIFICATION
FROM THE RSE - ERN BEFORE USE

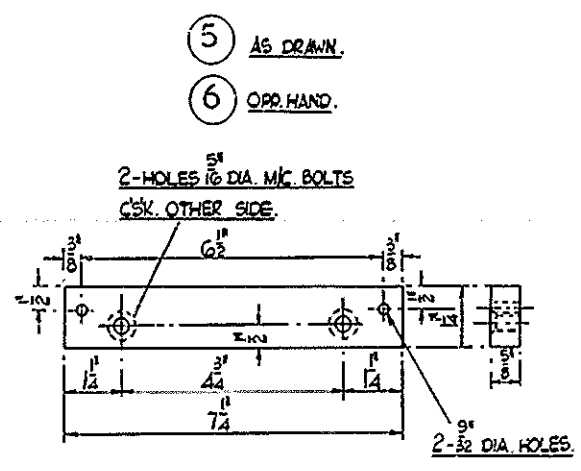
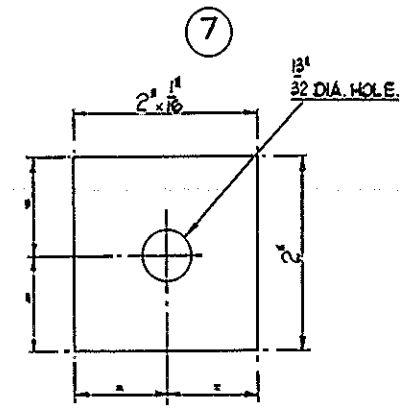
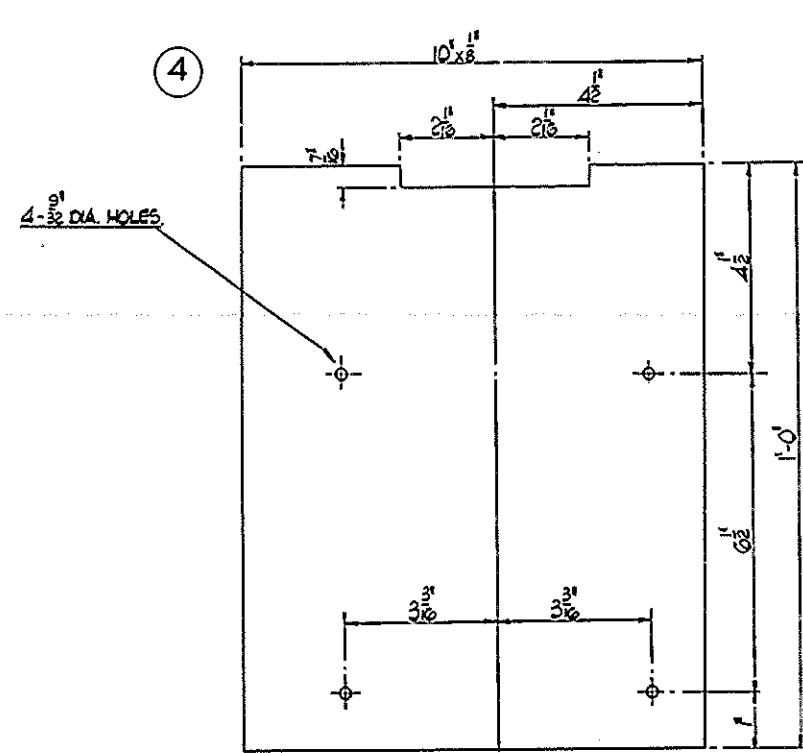
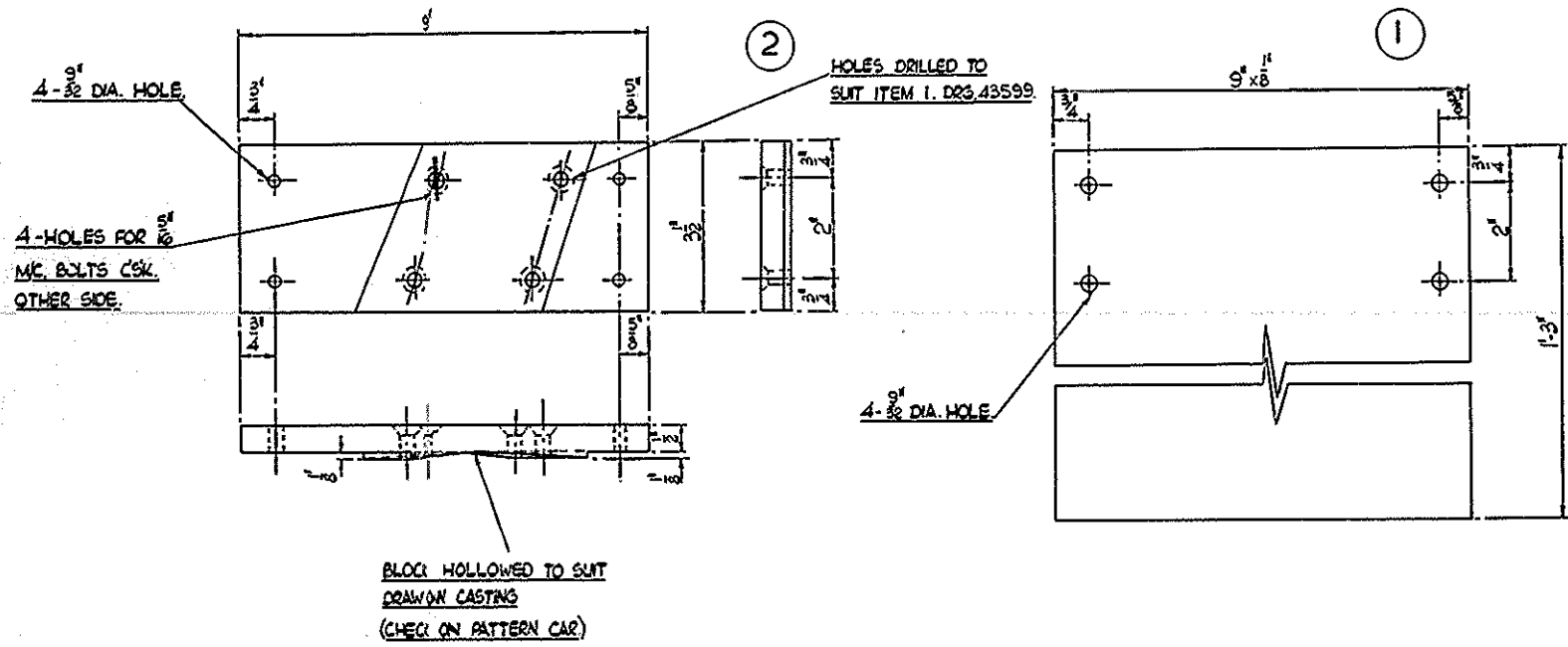


FOILED



Transport for London
London Underground
MAYOR OF LONDON
UNCONTROLLED COPY
WILL NOT BE UPDATED
THIS DRAWING MAY NOT BE CURRENT
AND SUBJECT TO AMENDMENT
THEREFORE DO NOT PURCHASE OR
MANUFACTURE ANY PART THERE OF
WITHOUT FIRST SEEKING VERIFICATION
FROM THE RSE - ERN BEFORE USE

RAIL LEVEL



THIS DRG. SUPERSEDED FOR FUTURE USE DRG. 43535.

ITEM	DESCRIPTION	MAT ¹	SPEC	ORG. No.	QTY	UNIT	STOCK LIST No.	REMARKS
10								
9								
8	WASHER	LEATHEROID			2	-		
7	NEG. SHOE FLASHSHIELD WOODBLOCK	HARDWOOD			2	-		
6	FLASHSHIELD WOODBLOCK	HARDWOOD			2	-		
5	SUSPENSION ARM FLASHSHIELD	KLINGERT			2	-	514/1876	STYLE 40
4	BEAM INSULATION	LEATHEROID			2	-		
3	FLASHSHIELD WOODBLOCK	HARDWOOD			2	-		
2	SUSPENSION ARM FLASHSHIELD	KLINGERT			2	-		STYLE 40

DRAWN: H. ROBINSON
 TRACED: H. ROBINSON
 CHECKED: H. ROBINSON
 APPROVED: H. ROBINSON
 DRAWER No. 407/407
 LONDON TRANSPORT EXECUTIVE.
 NEG. SHOE FLASHSHIELD & DETAILS.
 CONTRACTOR'S DRG. No. 29106.

CLASS OF STOCK: A60/62 SURFACE STOCK.
 SCALE: HALF FULL SIZE.
 MODIFICATIONS:

CHIEF MECH¹ ENGINEERS OFFICE.
 DRAWING No. 43604.
 DATE. 25-7-62.



30X

38
36
34
32
30
28
26
24
22
20
18
16
14
12
10
8
6
4
2
0
2
4
6
8
10
12
14
16
18
20
22
24
26
28
30
32
34
36
38
40
42

11
10
9
8
7
6
5
4
3
2
1
0
1
2
3
4
5
6
7
8
9
10
11
12
13
14
15
16
17