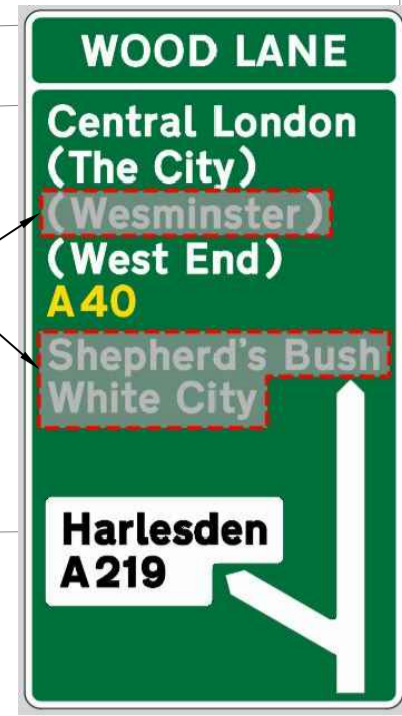


VI



Patch over destinations

EXISTING POST MOUNTED SIGN 001

BENTWORTH ROAD



SCHEME EXTENTS

(A40) WESTWAY

A219 A40 A40 A220

DIAG 1035 (4000mm)

DIAG 1010 (100mm)

Ward Bdy

FOR CONTINUATION SEE BELOW (V2)

V2

MAURICE STREET



FOR CONTINUATION SEE ABOVE (V1)

DIAG 1010 (100mm)

(A40) WESTWAY

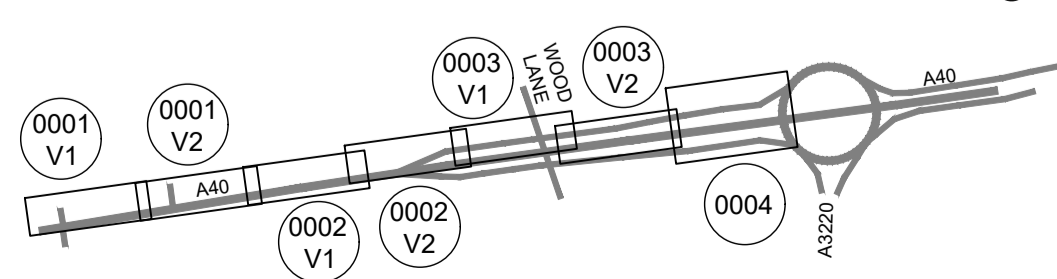
A219 A40 A40 A220

DIAG 1035 (4000mm)

Ward Bdy

FOR CONTINUATION SEE 3145-TFL-120-11\_12-DRG-TE-02-0002 (V1)

KEY PLAN



LEGEND

- Proposed road marking - White
- Proposed sign plate on existing post
- Road markings to be removed / masked over
- Proposed temporary barrier (to be developed by contractor)

TfL RESTRICTED

rev	date	details	dwn	chk	app
P01.1				SP	

Project		A40 OFFSLIP CLOSURE
Originator		Transport for London
Asset Classification		Traffic Signs & Road Markings
Location	Hammersmith and Fulham	
Scale	Sheet no	1 of 4
1:200(m) @ A1		

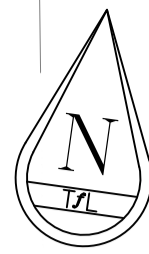
**Transport for London**

sublity: S3 FOR COMMENT revision: P01.1

drawing No: 3145-TFL-120-11\_12-DRG-TE-02-00001

© Crown copyright and database rights 2023 Ordnance Survey 100039971

VI



TERRICK STREET

FOR CONTINUATION SEE 3145-TFL-120-11\_12-DRG-TE-02-0001 (V2)

FOR CONTINUATION SEE BELOW (V2)

A2201

DIAG 1010 (100mm)

(A40) WESTWAY

Subway

V2



**Harlesden, White City A219** ←

**Central London, (The City) (Westminster), (West End) A40** ↑  
Shepherd's Bush, Westfield

Patch over destinations EXISTING GANTRY MOUNTED SIGN 002

~~Westminster  
Hammersmith  
Shepherd's Bush  
Westfield  
Earls Ct. A3220~~

EXISTING GANTRY MOUNTED SIGN 003 OVER SUSPENDED LANE TO BE COVERED

FOR CONTINUATION SEE 3145-TFL-120-11\_12-DRG-TE-02-0003 (V1)

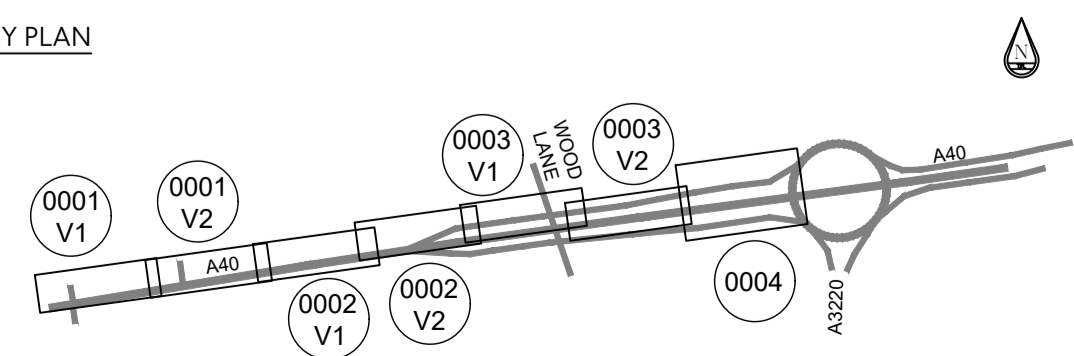
DIAG 1035 (4000mm)

DIAG 1010 (100mm)

(A40) WESTWAY

FOR CONTINUATION SEE ABOVE (V1)

KEY PLAN



LEGEND

- Proposed road marking - White
- Proposed sign plate on existing post
- Road markings to be removed / masked over
- Proposed temporary barrier (to be developed by contractor)

TFL RESTRICTED

Project		A40 OFFSLIP CLOSURE	
Originator		Transport for London	
Asset Classification		Traffic Signs & Road Markings	
Location		Hammersmith and Fulham	
Scale		1:200(m) @ A1	
Sheet no		2 of 4	
drawing No		3145-TFL-120-11_12-DRG-TE-02-00002	
subtality		S3 FOR COMMENT	
revision		P01.1	

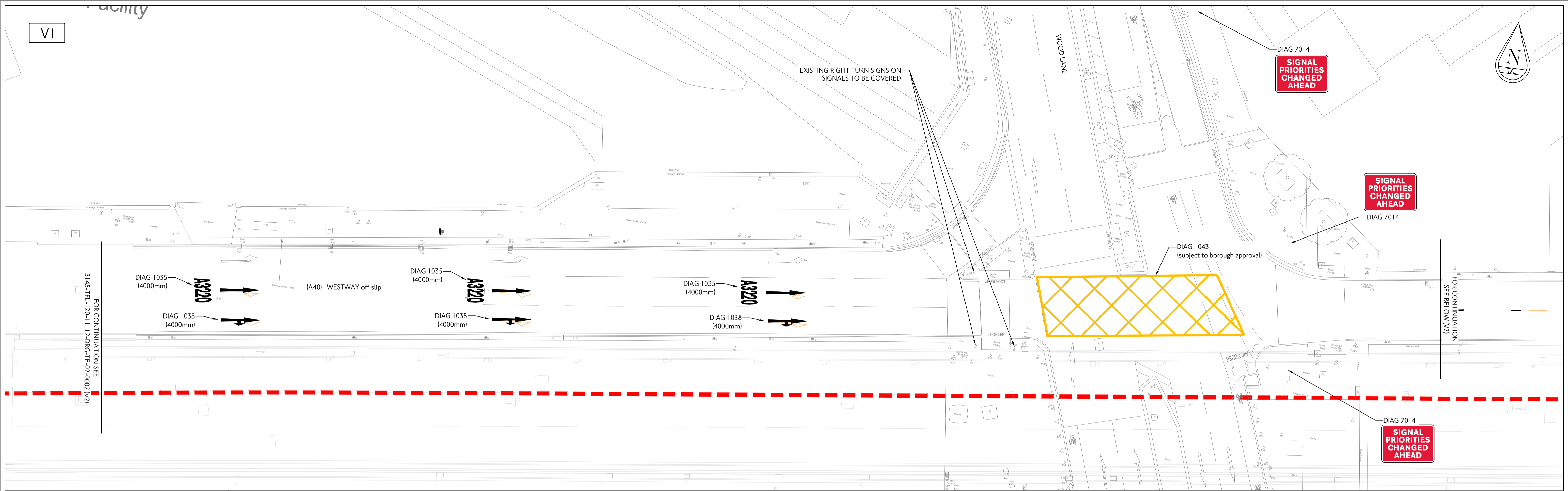
Project		A40 OFFSLIP CLOSURE	
Originator		Transport for London	
Asset Classification		Traffic Signs & Road Markings	
Location		Hammersmith and Fulham	
Scale		1:200(m) @ A1	
Sheet no		2 of 4	
drawing No		3145-TFL-120-11_12-DRG-TE-02-00002	
subtality		S3 FOR COMMENT	
revision		P01.1	



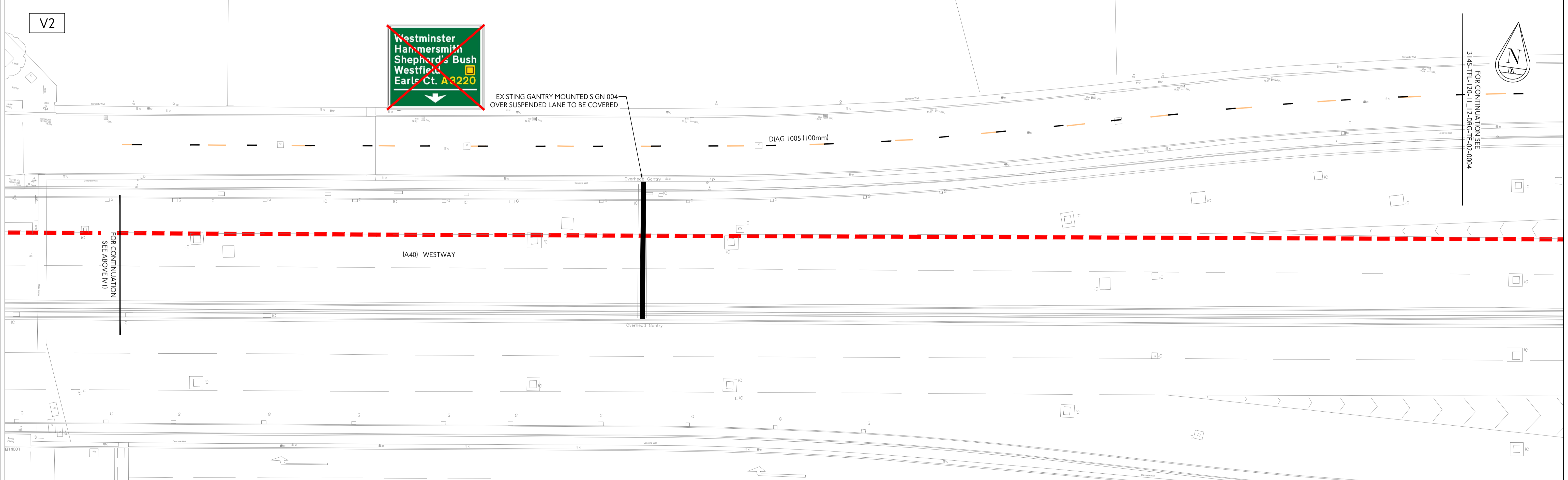
DRAFT



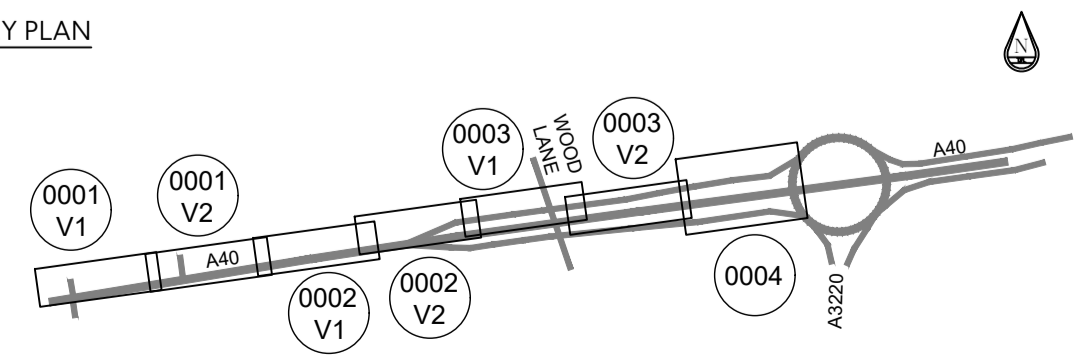
VI



V2



KEY PLAN

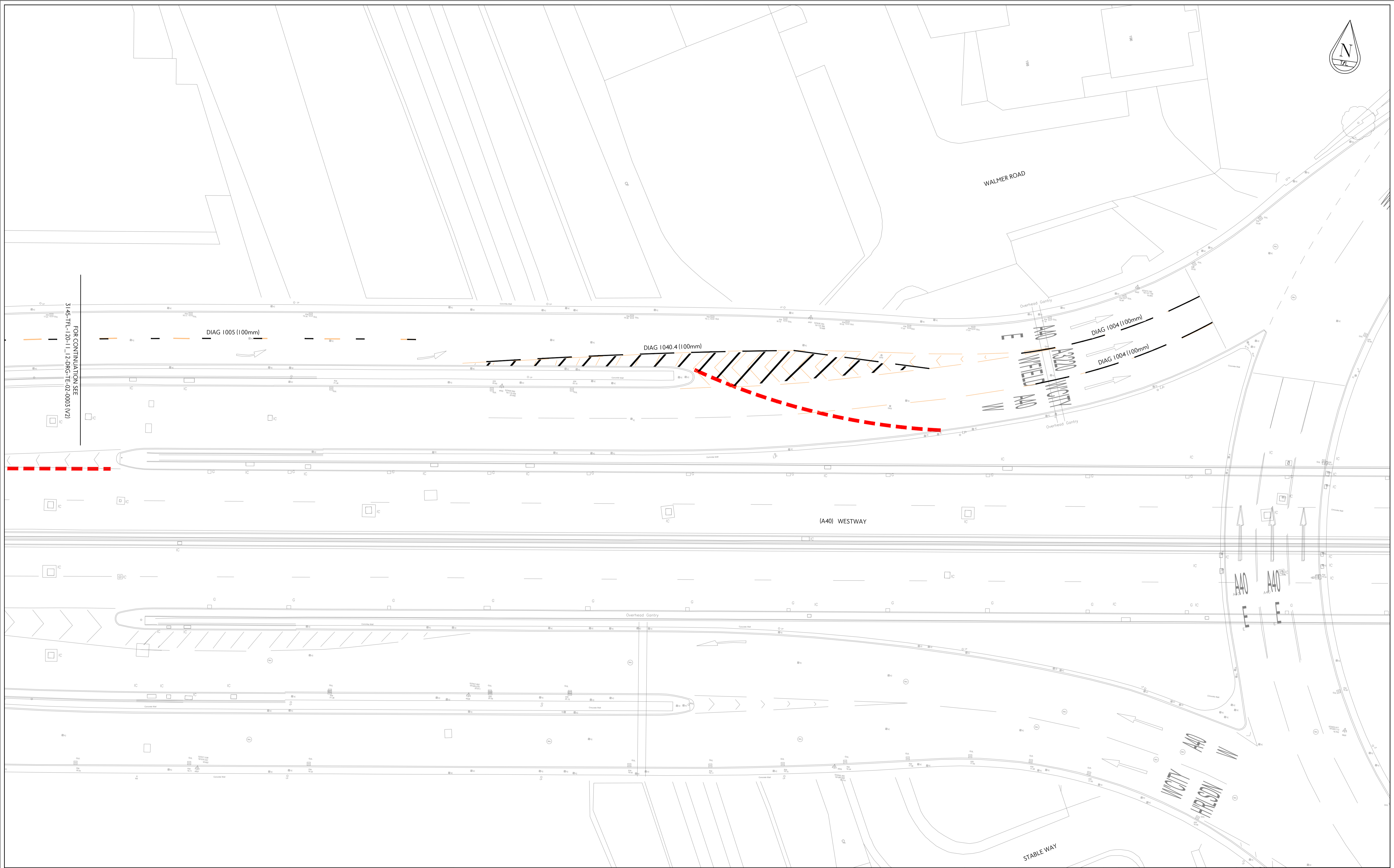
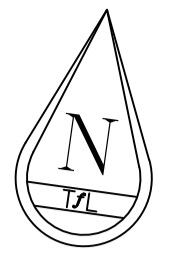


LEGEND

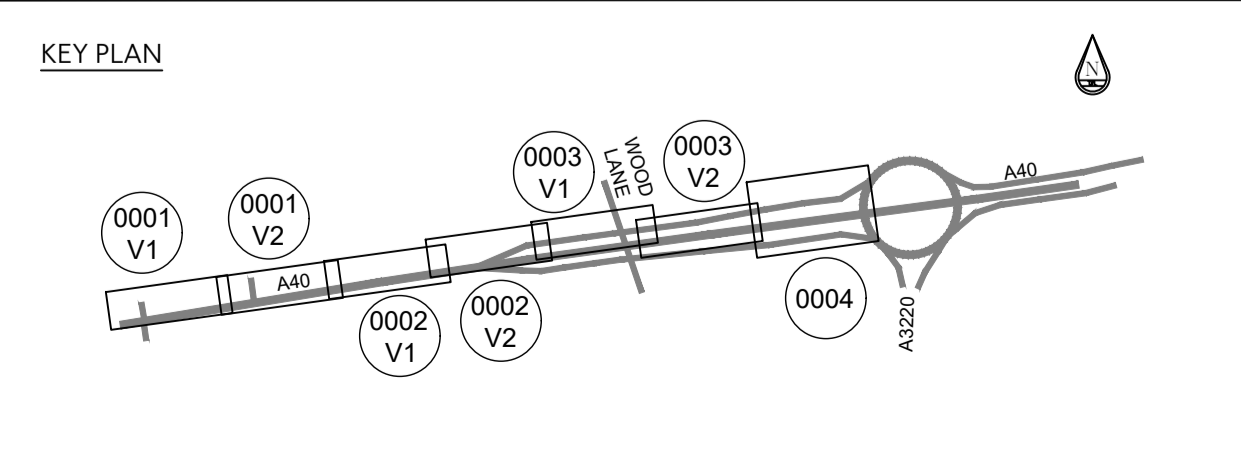
- Proposed road marking - White
- ⬇ Proposed sign plate on existing post
- Road markings to be removed / masked over
- Proposed temporary barrier (to be developed by contractor)

TfL RESTRICTED	Project		A40 OFFSLIP CLOSURE	
	Originator		Transport for London	
	Asset Classification		Traffic Signs & Road Markings	
	Location		Hammersmith and Fulham	
Scale		1:200(m) @ A1		
Sheet no		3 of 4		
Subsidiary		S3 FOR COMMENT		
Revision		P01.1		
Drawing No		3145-TFL-120-11_12-DRG-TE-02-00003		
Copyright		© Crown copyright and database rights 2023 Ordnance Survey 100039971		





FOR CONTINUATION SEE 3145-TFL-120-11\_12-DRG-TE-02-0003 (V2)



- LEGEND**
- Proposed road marking - White
  - Proposed sign plate on existing post
  - Road markings to be removed / masked over
  - Proposed temporary barrier (to be developed by contractor)

**TFL RESTRICTED**

rev	date	details	dwn	chk	app
P01.1				SP	

Project  
**A40 OFFSLIP CLOSURE**

Originator  
Transport for London

Asset Classification  
Traffic Signs & Road Markings

Location  
Hammersmith and Fulham

Scale  
1:200@ A1

Sheet no  
4 of 4

**Transport for London**

drawing No  
3145-TFL-120-11\_12-DRG-TE-02-00004

submittal  
S3 FOR COMMENT

revision  
P01.1

© Crown copyright and database rights 2023 Ordnance Survey 100039971